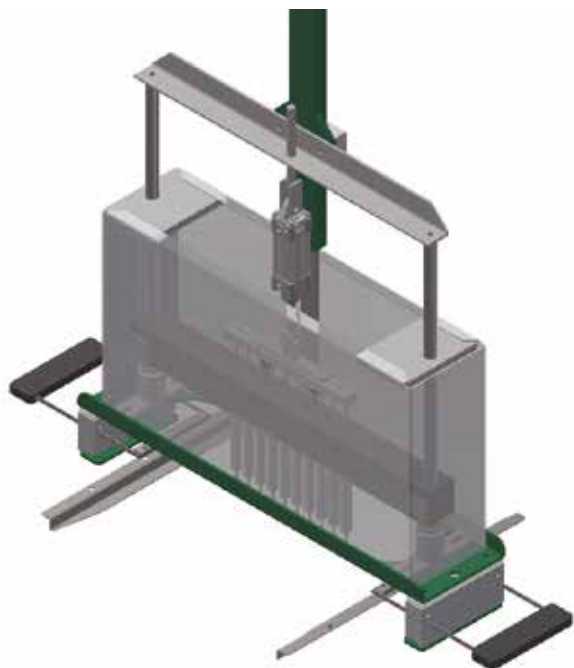


# DIBBLE UNIT TECHNICAL SHEET

Build in on conveyor.



## SPECIFICATIONS

- **Diameter:** Custom made for tray
- **Number of dibble:** Custom made for tray
- **Weight:** 25 kg

## TOOL HEADS OPTIONS:

### SPEARS



### FLAT



*flat head recess*

*flat head*



Storstrømsvej 55  
DK - 6715 Esbjerg N  
Tel.: +45 7614 7676

[www.ellepot.com](http://www.ellepot.com)

